

COMPANY NAME _____

CONTACT NAME _____

SHIP TO ADDRESS _____

PHONE _____

JOB NAME / PO# _____

EMAIL _____

FAX _____

JOB DATE _____

NECS USE FIELDS

NECS S/O# _____

NECS CUST # _____

SHIP VIA _____

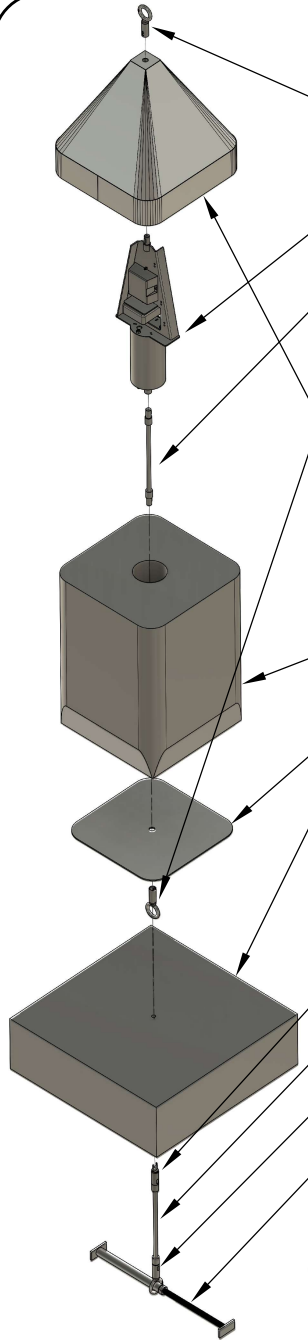
SHIP DATE _____


Ship Early

Yes

No

FIREGUARD-SLIPCAST SYSTEM ORDERING WORKSHEET



- FULL VIBRATION HARDWARE ASSEMBLY** _____ QTY = _____
FGSC-VIB-HARDWARE-ASSY
(Includes: FGSC-EYERING-QC (QTY=2) + FGSC-VIBRATION-ASSY + FGSC-SMROD-QC + FGSC-BATTERY)
- EYERING ASSEMBLY QUICK CONNECT** _____ QTY = _____
FGSC-EYERING-QC
- CORDLESS VIBRATION MOTOR ASSEMBLY** _____ QTY = _____
FGSC-VIBRATION-ASSY
- ROD SMALL QUICK CONNECT** _____ QTY = _____
FGSC-SMROD-QC
- EYERING ASSEMBLY QUICK CONNECT** _____ QTY = _____
FGSC-EYERING-QC
- MILWAUKEE 18v BATTERY**  _____ QTY = _____
FGSC-BATTERY

NECS COST

Quote Order

FULL FIREGUARD SLIPCAST ASSEMBLY **
CUST-FGSC-APPLICATOR-ASSY
(Includes: CUST-FGSC-UPPERCONE + CUST-FGSC-APPLICATOR + CUST-FGSC-LOWERPLATE)

- UPPER CONE ****
CUST-FGSC-UPPERCONE
- SLIPCAST APPLICATOR ****
CUST-FGSC-APPLICATOR
- LOWER PLATE ****
CUST-FGSC-LOWERPLATE
- SHUTTER FOAM ****
CUST-FGSC-SHUTTERFOAM

**** Must order items in this section using the "FIREGUARD-SLIPCAST APPLICATOR(S) WORKSHEET"**

- FULL PRESSURE FIT SUPPORT TOOL ASSEMBLY** _____ QTY = _____
FGSC-PRESSUREFIT-ASSY
(Includes: FGSC-RCLIP + FGSC-SMROD-QC + FGSC-EYERING-QC + FGSC-PFARM)
- RELEASE CLIP ONLY** _____ QTY = _____
FGSC-RCLIP
- ROD SMALL QUICK CONNECT** _____ QTY = _____
FGSC-SMROD-QC
- EYERING ASSEMBLY QUICK CONNECT** _____ QTY = _____
FGSC-EYERING-QC
- PRESSURE FIT ARM** _____ QTY = _____
FGSC-PFARM
- FIREGUARD SLIPCAST MIX** _____ QTY = _____
FGSC-MIX
- WINCH** _____ QTY = _____
UPWINCH
- PIVOT POLE** _____ QTY = _____
FGSC-PIVOTPOLE

IMPORTANT: VOID FILL APPLICATOR

The "FireGuard Ceramic Resurfacing & Joint Repair System" Certification is a prerequisite before the "FireGuard Slip Cast System" Certification can be acquired and used. Vibration Equipment and Hardware used in the "FireGuard Ceramic Resurfacing & Joint Repair System" will be needed to use the VOID-FILL Applicator.



New England Supply
34 Commerce Street, Williston, VT 05495
Phone: (802) 858-4577 (888) 900-8106
Fax: (888) 392-4432
<http://www.NewEnglandChimneySupply.com>

Fax To: (888) 392-4432
-OR-
Email To:
order@nesbestflex.com

4-16-2026